



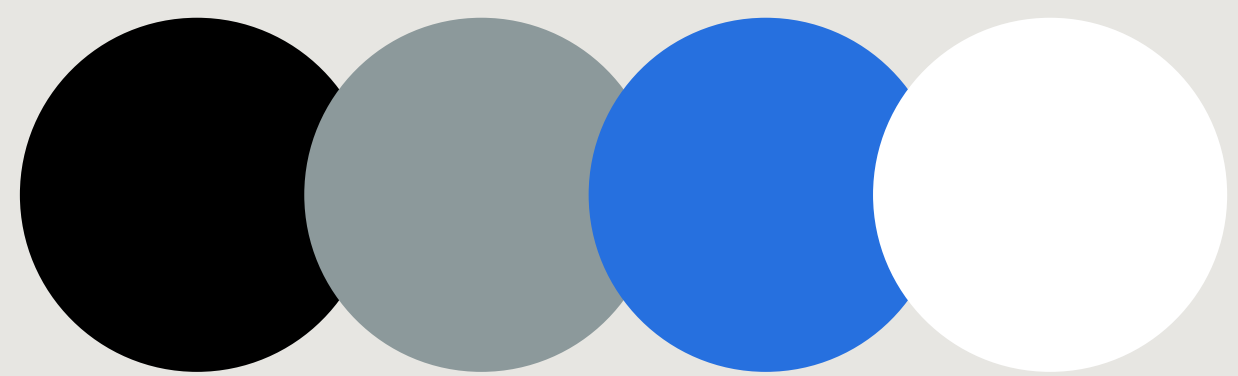
ECO 20

The Leader in Solar Boating



Color Scheme for the ECO 20

It reflects the identity and personality of our brand.



Specialities of ECO 20

- Application Inland & Sea water.
- Strong enough to face rough sea conditions.
- Mood Lighting system.
- Surrounding sound system.
- Deck Lighting system.
- Search light option.
- Mount up to 60Hp Gasoline OBM.
- Sire Horn System.
- Maximum Passenger capacity 08.
- Rear Cabins for material storage.

CONTACT US



www.mahassenmarine.com



mahassenmarine@gmail.com



+94711692567 - Dr Awantha
+94703727241 - Kalhara



STAINLESS STEEL ROOF BOAT



GENERAL SPECIFICATION

Model Name	: ECO 20
Fuel type	: Solar Power & Gassoline
Category	: Medium Size Passenger Boat
Country of Origin	: Sri Lanka
Manufacturer	: Mahasen Marine
Length	: 19' 5"
Beam	: 6' 5"
Height	: 5' 9"
Draft	: 8"
Weight	: 750 Kg
Passenger Capacity	: 08
Propulsion	: Electric & Gassoline
Control	: Center Console
Hull	: Fiberglass
Roof	: Stainless Steel roof with Solar Panels

ENERGY SPECIFICATION

Motor Capacity	: 03Hp Electrical OBM & 40Hp Gassoline OBM
Solar Power Capacity	: 1kW
Battery Capacity	: 03kWh
Inverter Capacity	: 03kW
Plugged in Charging	: 01 hour By Solar Power

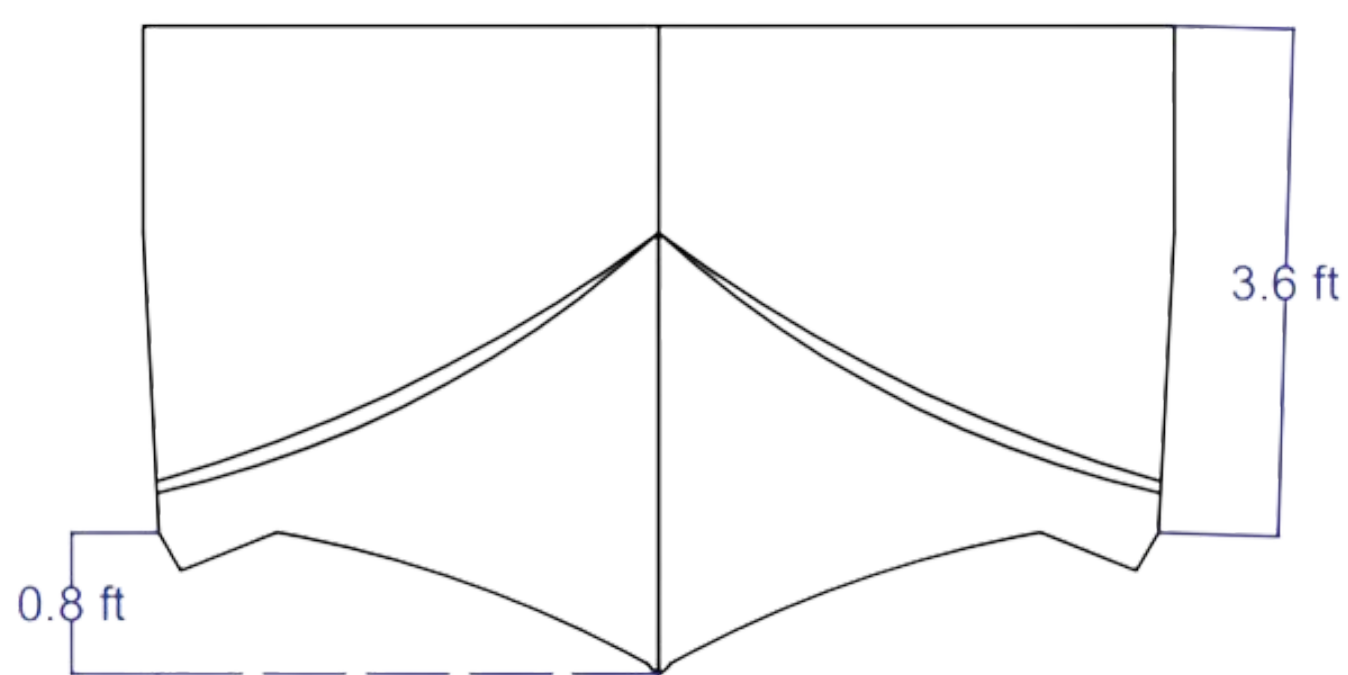
ENERGY SPECIFICATION

Maximum Speed	: 05 Knots By Electric OBM 15 Knots By Gassoline OBM
Cruise Speed	: 05 - 08 Knots
Running Time	: 04 Hours By Battery
Maximum Range	: 45Km By Battery
Application	: Sea Water

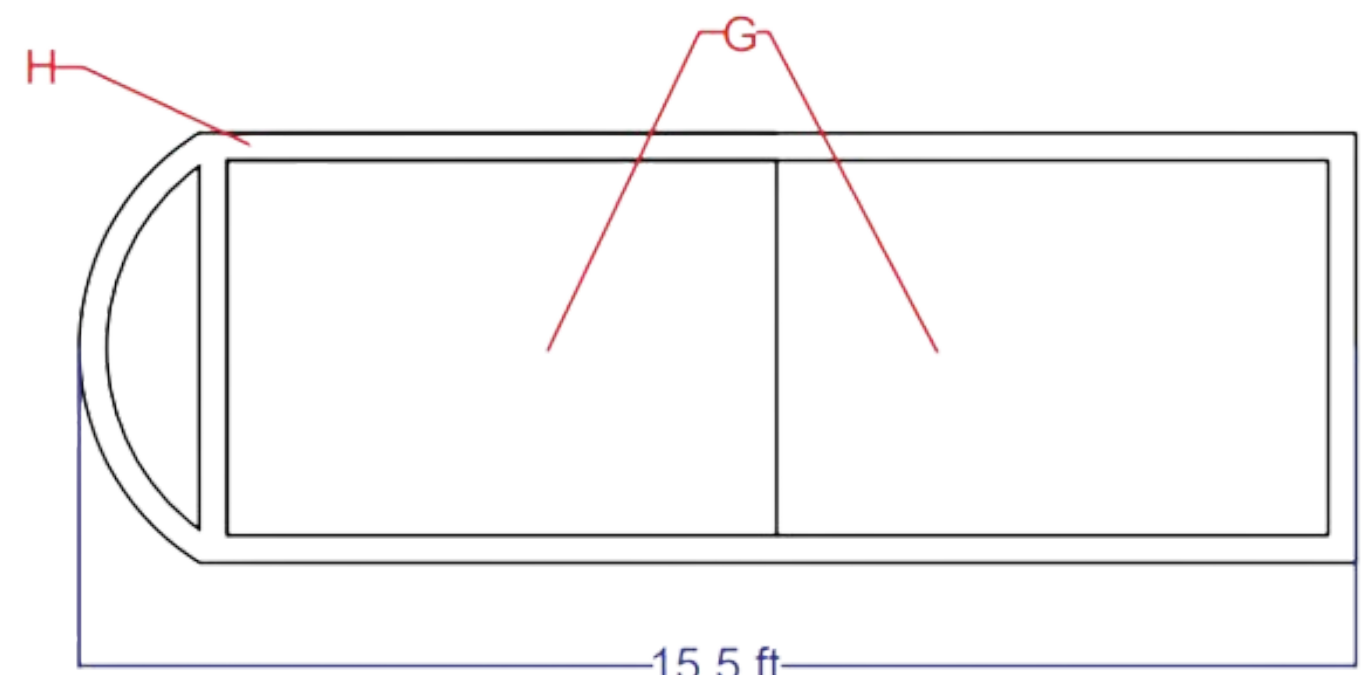
BOAT DRAWING

- A = OBM Mounting Area
- B = Cabin
- C = Cushion Seats
- D = Driver Seat
- E = Steering Console
- F = Acceleration & Gear Lever
- G = Panel Mounting Area
- H = Stainless Steel Roof
- I = Fiberglass Hull
- K = Boat Platform

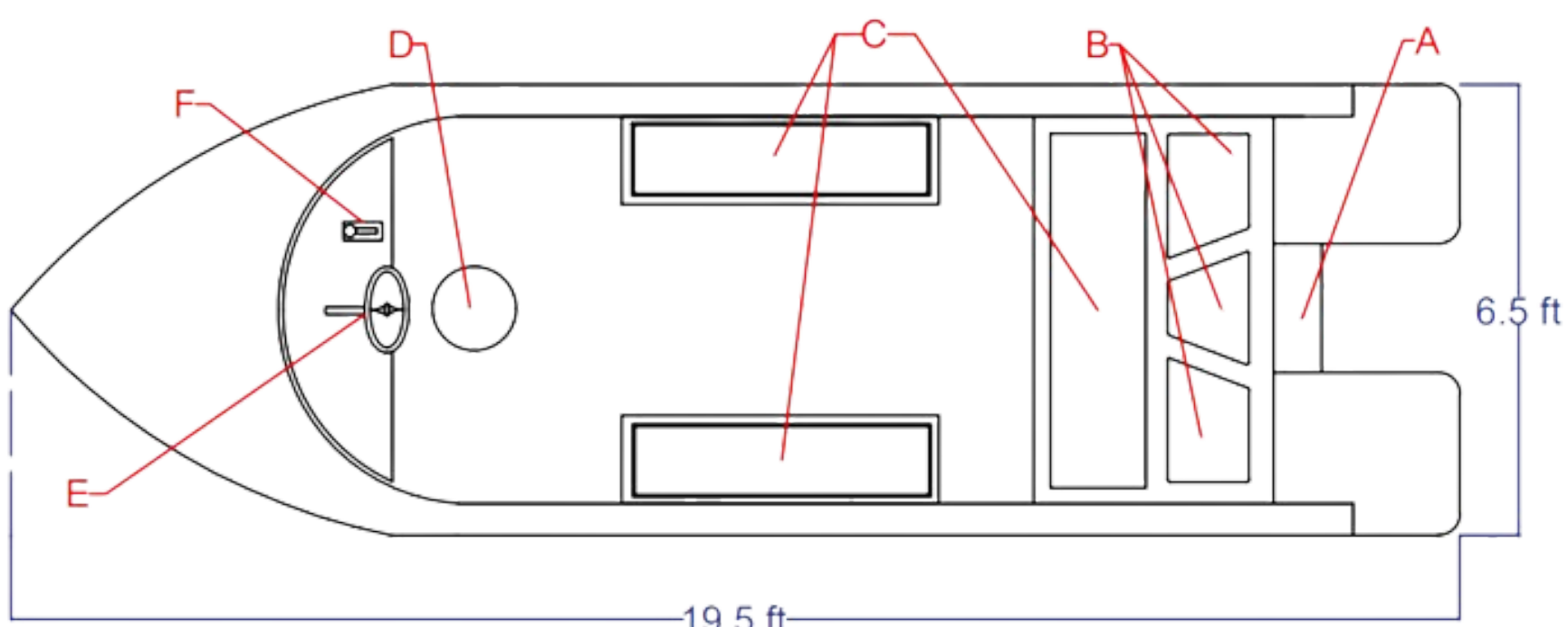
BOAT FRONT VIEW



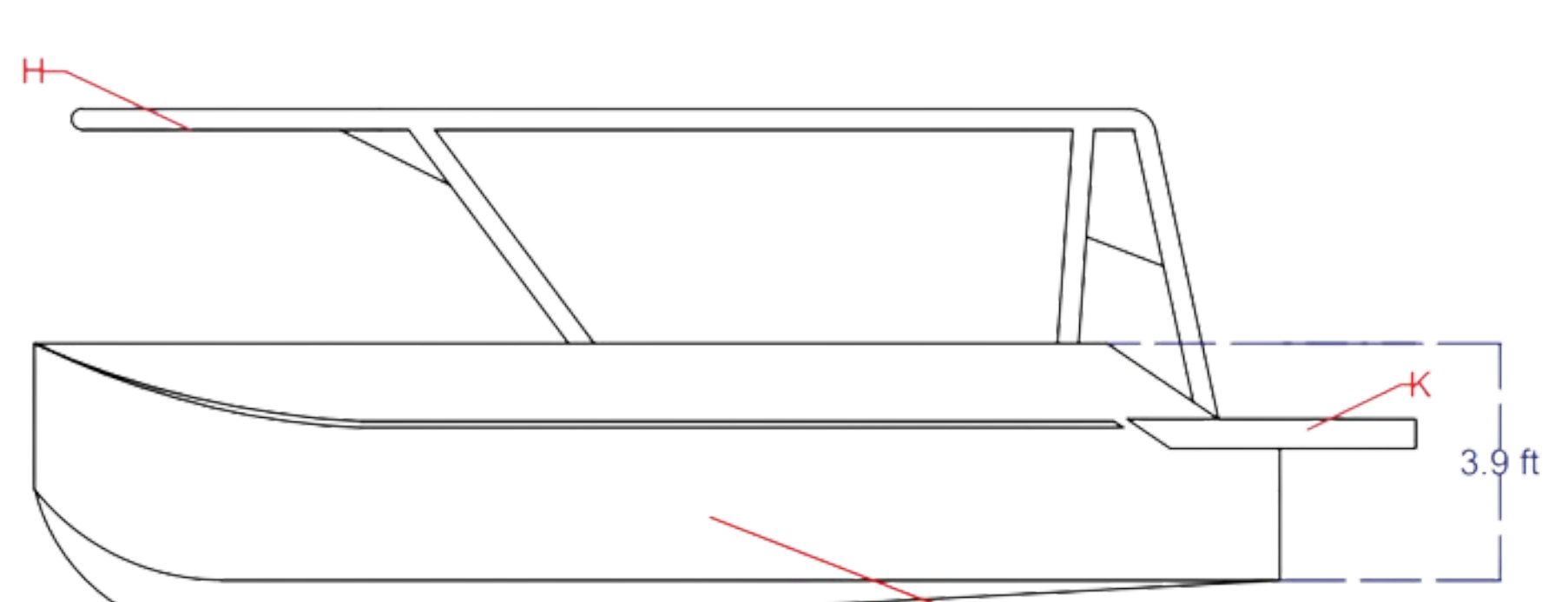
ROOF TOP VIEW



BOAT TOP VIEW



BOAT SIDE VIEW



FIBERGLASS ROOF BOAT



GENERAL SPECIFICATION

Model Name	: ECO 20
Fuel type	: Solar Power & Gassoline
Category	: Medium Size Passenger Boat
Country of Origin	: Sri Lanka
Manufacturer	: Mahasen Marine
Length	: 19' 5"
Beam	: 6' 5"
Height	: 5' 9"
Draft	: 8"
Weight	: 750 Kg
Passenger Capacity	: 08
Propulsion	: Electric & Gassoline
Control	: Center Console
Hull	: Fiberglass
Roof	: Fiberglass roof with Solar Panels

ENERGY SPECIFICATION

Motor Capacity	: 03Hp Electrical OBM & 40Hp Gassoline OBM
Solar Power Capacity	: 1kW
Battery Capacity	: 03kWh
Inverter Capacity	: 03kW
Plugged in Charging	: 01 hour By Solar Power

ENERGY SPECIFICATION

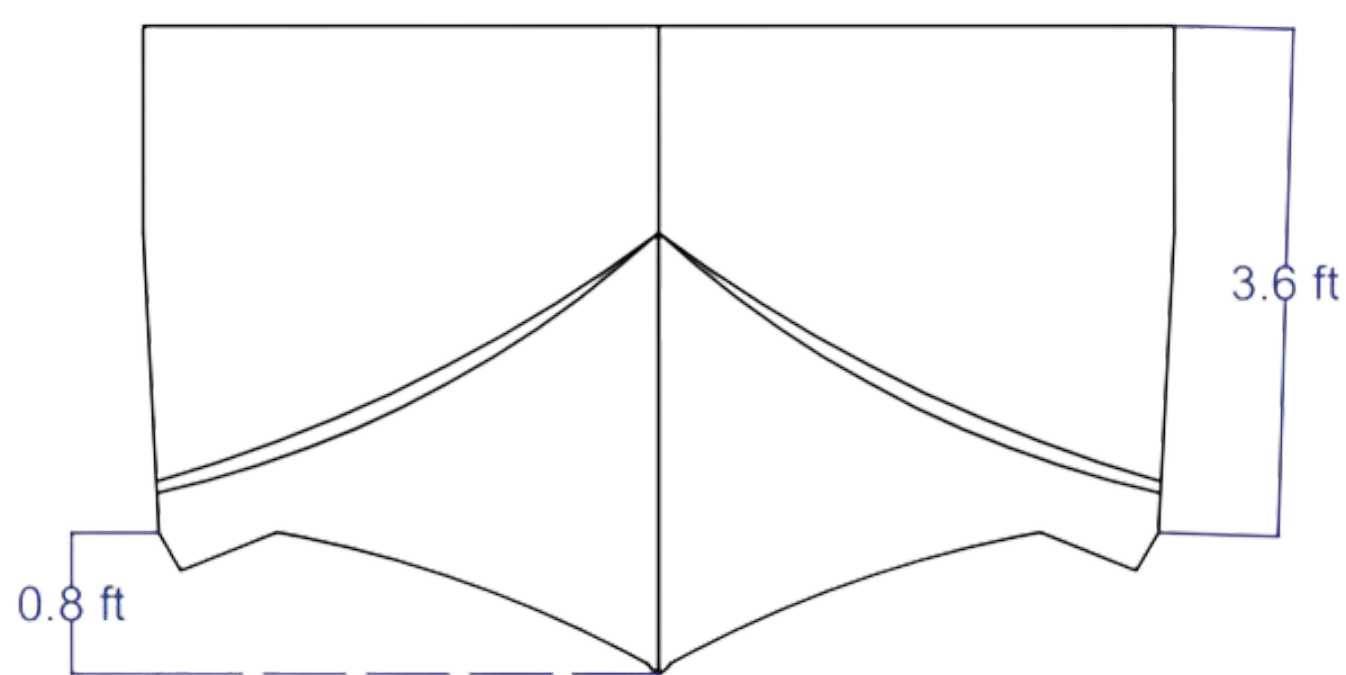
Maximum Speed	: 05 Knots By Electric OBM 15 Knots By Gassoline OBM
Cruise Speed	: 05 - 08 Knots
Running Time	: 04 Hours By Battery
Maximum Range	: 45Km By Battery
Application	: Sea Water

BOAT DRAWING

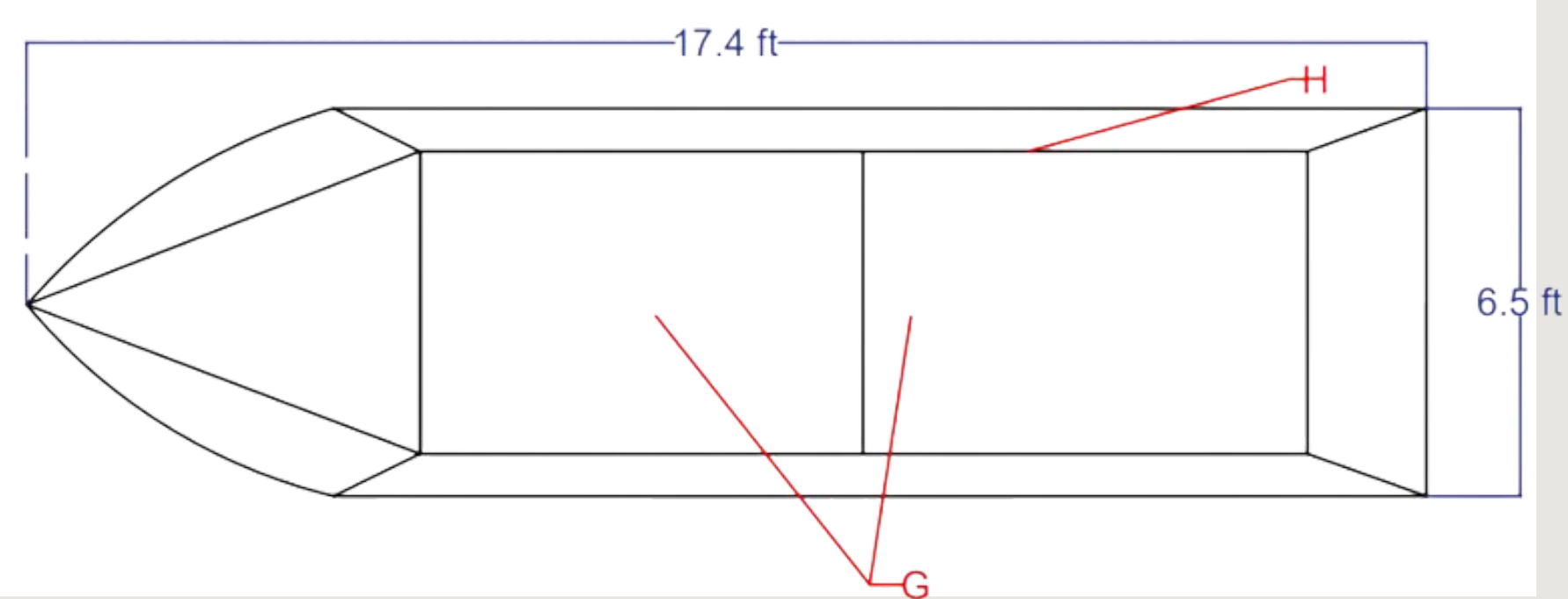
A = OBM Mounting Area
C = Cushion Seats
E = Steering Console
G = Panel Mounting Area
I = Fiberglass Hull

B = Cabin
D = Driver Seat
F = Acceleration & Gear Lever
H = Fiberglass Roof
K = Boat Platform

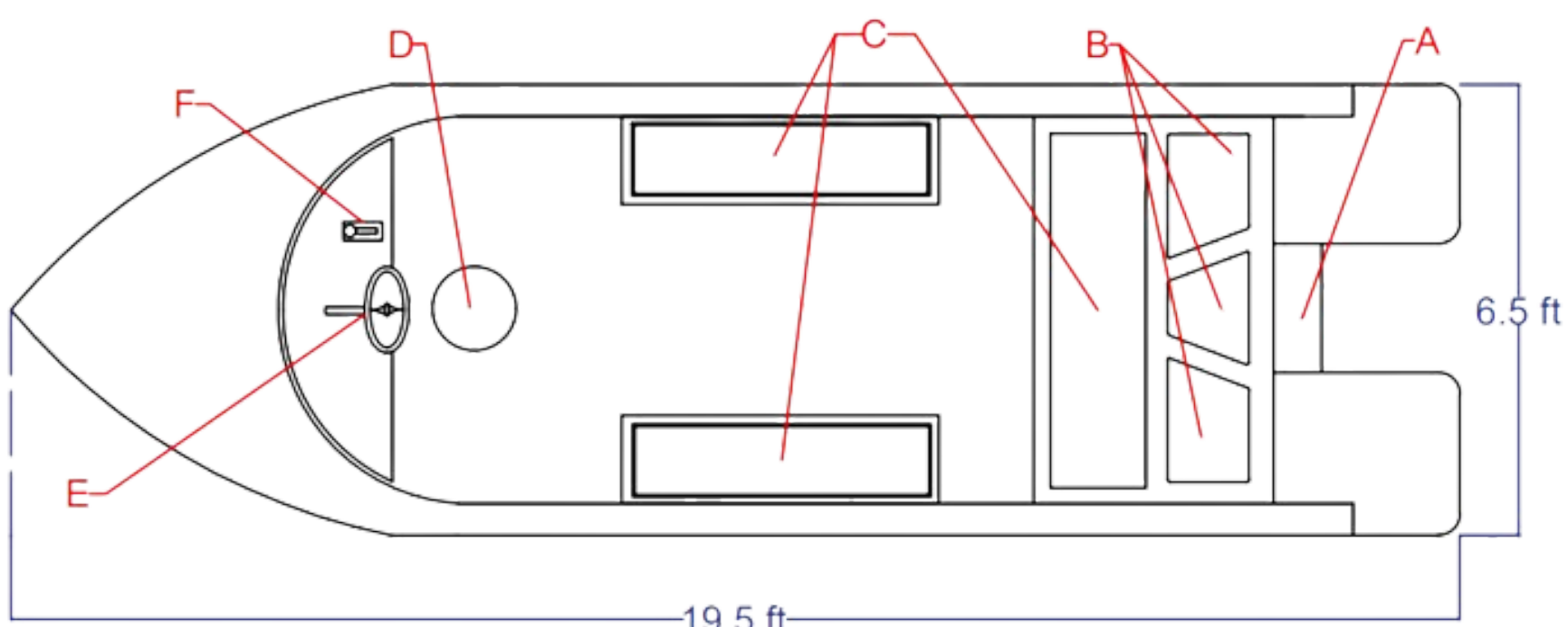
BOAT FRONT VIEW



ROOF TOP VIEW



BOAT TOP VIEW



BOAT SIDE VIEW

